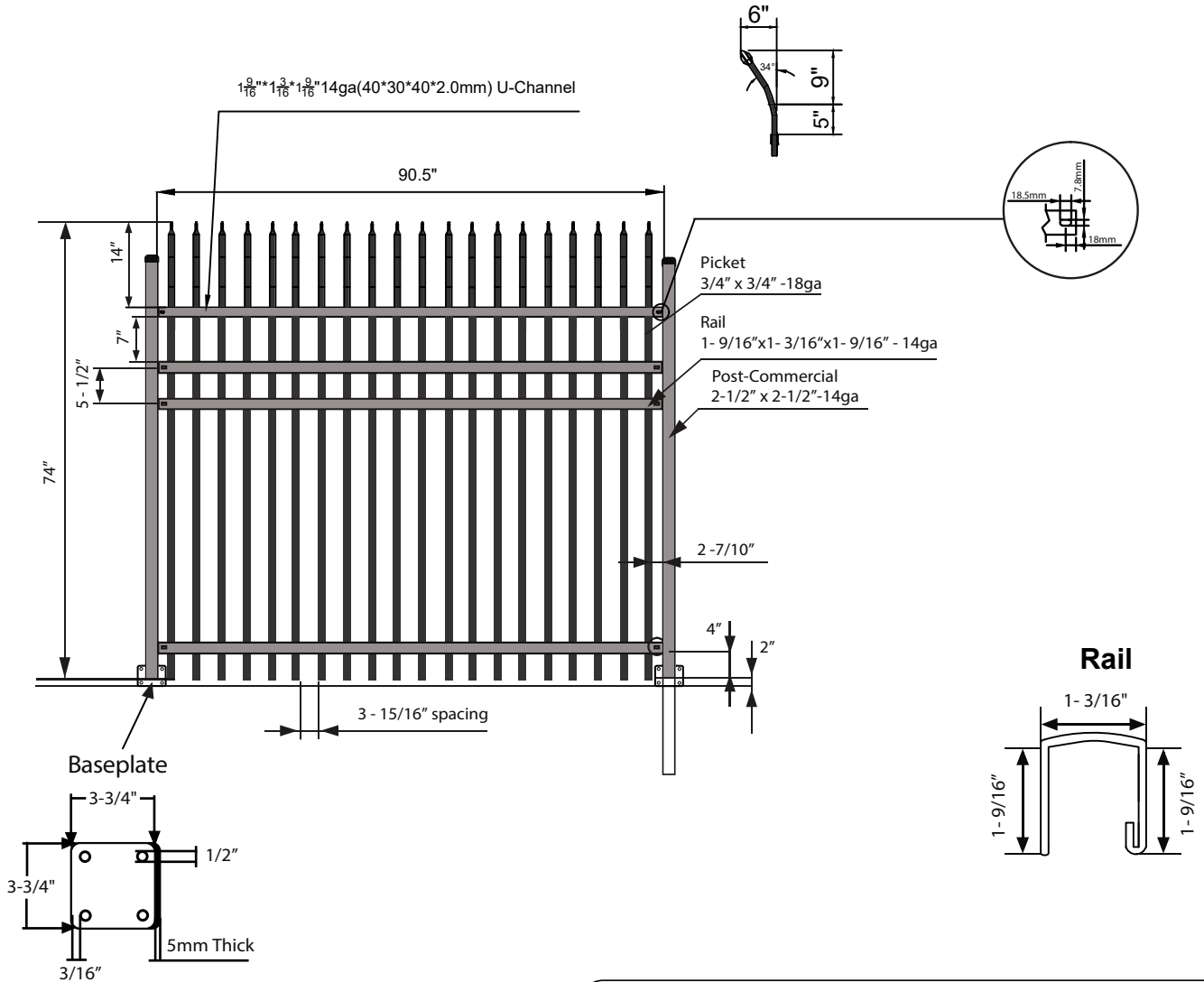


The Defender 7' Tall Surface Mount

www.maldenmetals.ca
info@maldenmetals.ca

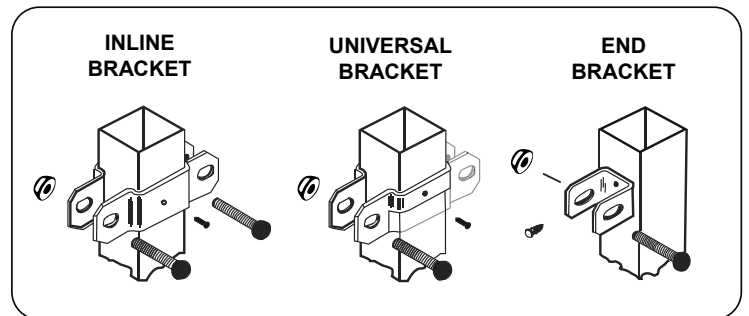
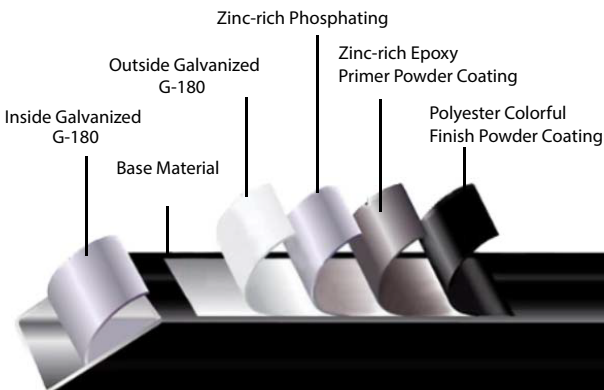


Side View



NOTES:

1. Commercial use 2-1/2" posts.
2. Post Spacing - 2-1/2" post 93-1/2" C/C.



STEEL PROTECTION SYSTEM