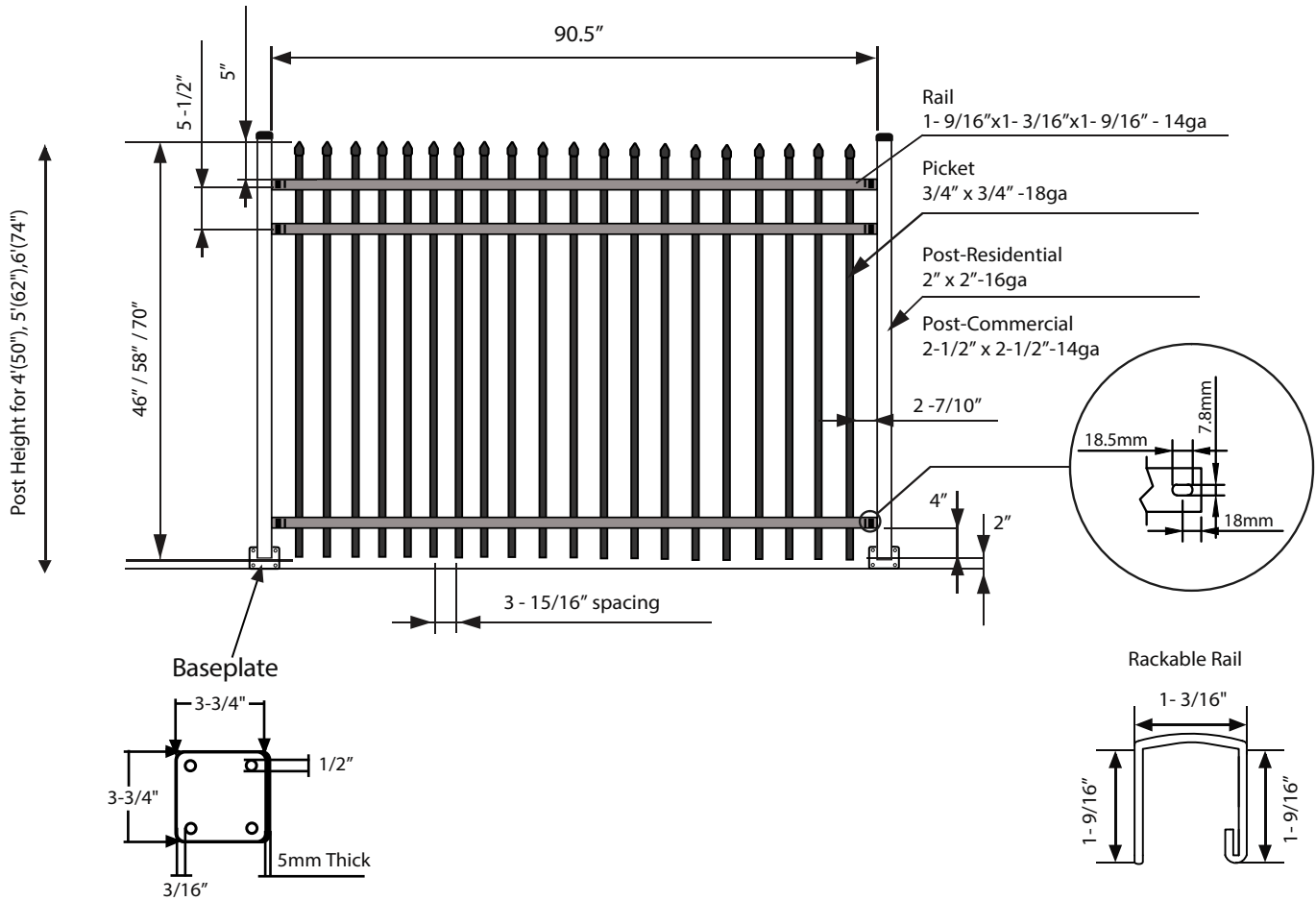
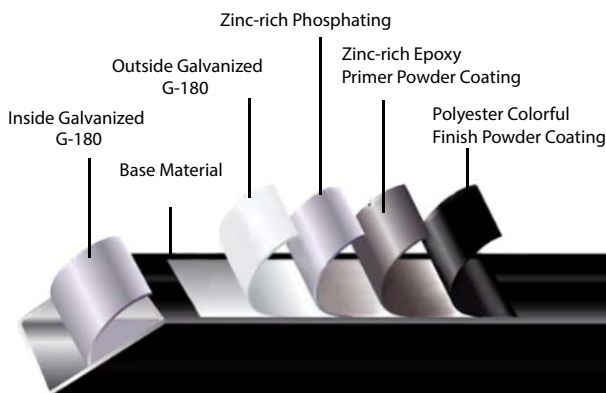
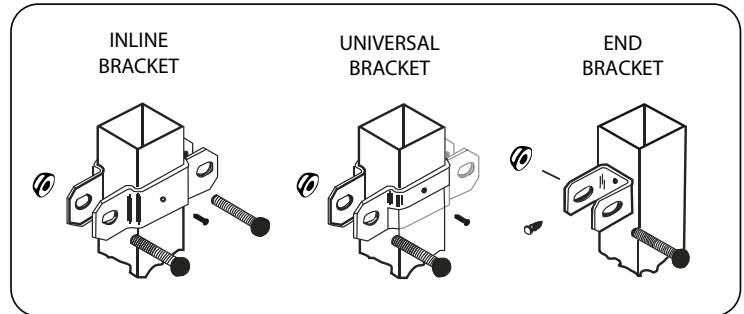


**RACKABLE PANEL**



**NOTES:**

1. For residential use 2" posts and commercial use 2-1/2" posts.
2. Post Spacing - 2" post 93 C/C, 2-1/2" post 93-1/2" C/C
3. Rackable panels can be racked up to 45°.



**STEEL PROTECTION SYSTEM**