

# MOTTA BLOCK GATE KIT

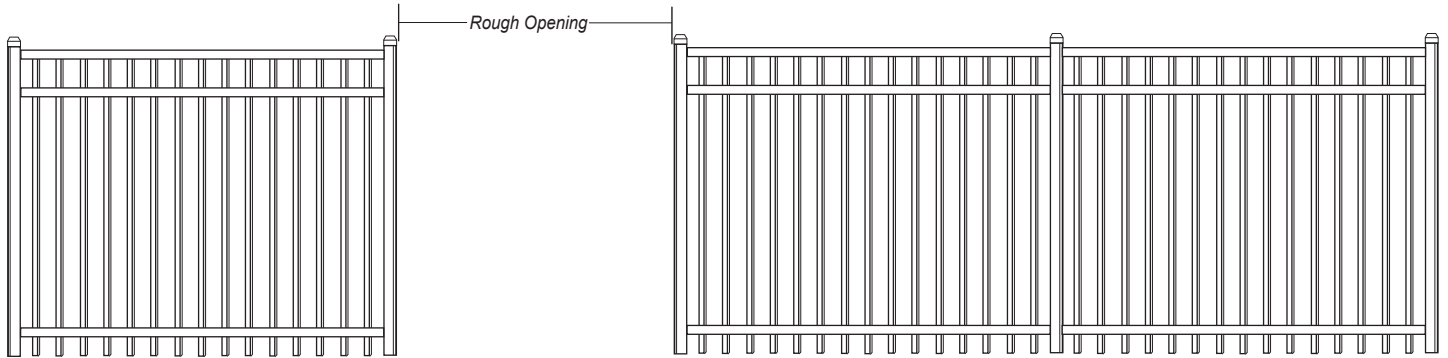
## INSTALLATION INSTRUCTION



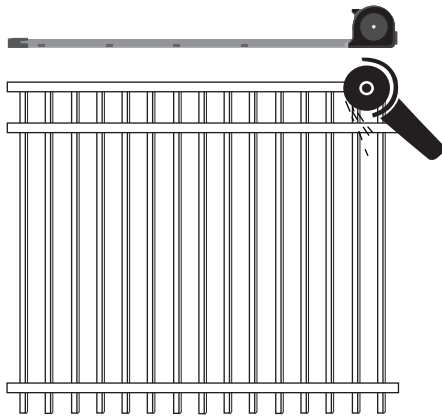
"The Original Weld-Free Gate Solution"

**NOTE:** Prior to installing your fence gate kit, it's essential to consult local building authorities to ensure compliance with any required building permits and codes.

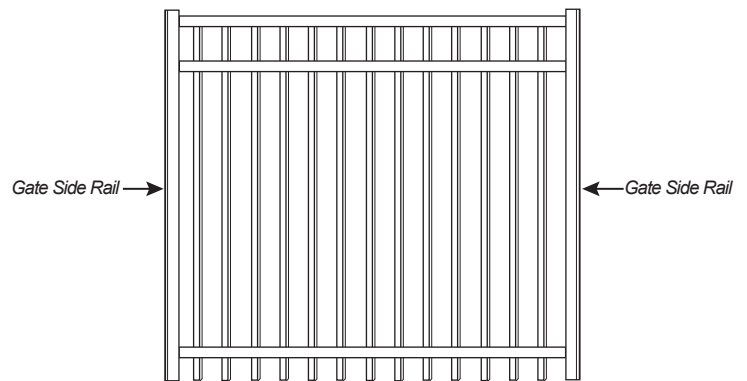
- 1 Measure the width of the rough opening where you need the gate installed and subtract the clearance needed for your gate hardware to determine the size of gate you need to build. As a reference standard ornamental gate hardware needs a gate width 4" narrower than the rough opening (a 40" RO needs a 36" wide gate) but confirm with you hardware supplier what is correct for the hardware you are using.



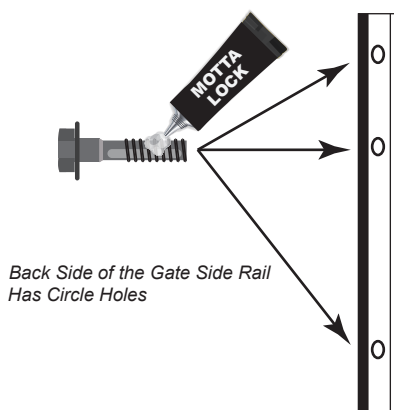
- 2 Using the gate size calculated, cut down the welded fence panel to the size of gate needed minus 3/16". This 3/16" allowance is to accommodate the thickness of the gate side rails. The gate height can also be adjusted by cutting back the pickets and gate side rails at the bottom. Ensure there is a min of 1" of post below the bottom rail after any cuts are made.



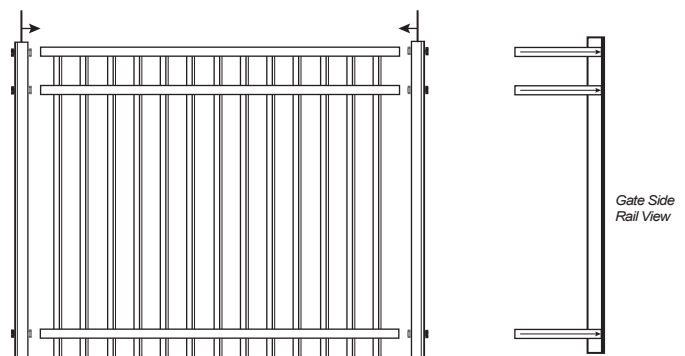
- 3 Dry fit the gate side rail onto the panel to ensure the gate width is as desired. When cutting down the rails to fit the gate, ensure there is a minimum of 2-1/4" of rail from the edge of the first picket to the end of the rail. It is recommended that the rail goes inside the gate upright so it is tight to the end.



- 4 Once it has been confirmed that the gate is the correct size, apply Motta Lock to the bolt threads. Insert the bolts with washers through the back side of the gate uprights and into the Motta Blocks.



- 5 Slide the gate panel over the Motta Blocks and into the gate side rails. Ensure the gate rails go all the way in so they contact the gate uprights inside. Tighten down the bolts so they are torqued to 40 ft. lbs. After the gate has been torqued, let the gate sit for 20 minutes so the Motta Lock can fully bond.



- 6 Install the gate in the opening using the selected hardware. After the gate has been installed, allow 24 hours before it is used so the Motta Lock can fully cure.

