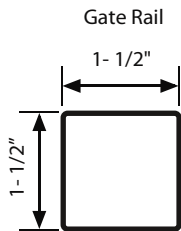
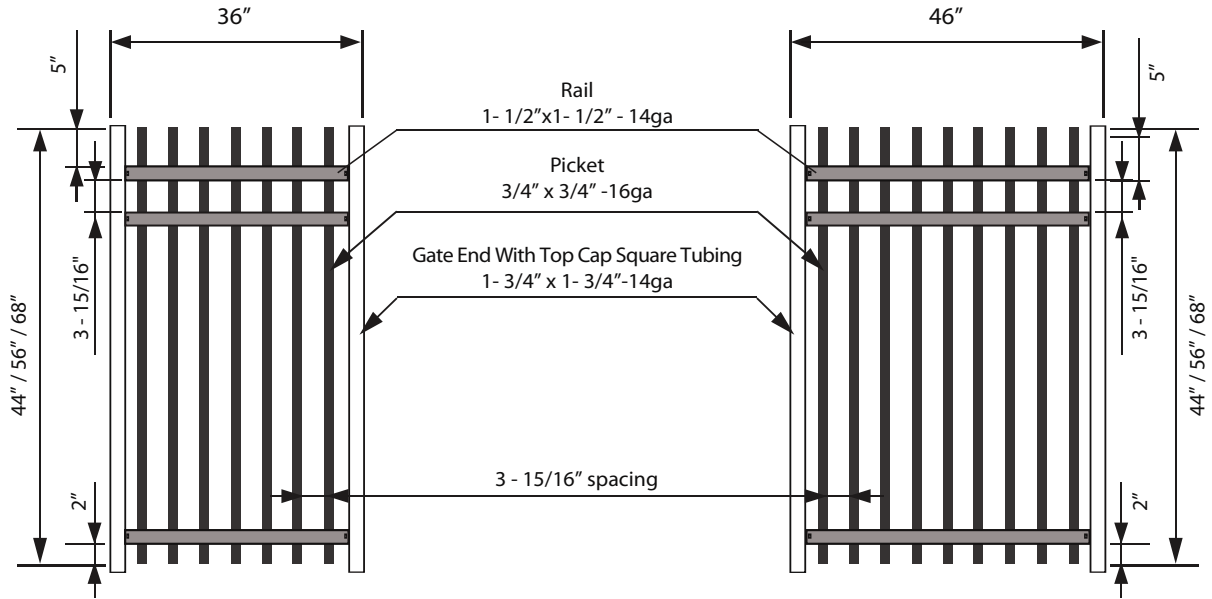


Caldwell 36"/46" Gates

www.maldenmetals.ca
info@maldenmetals.ca



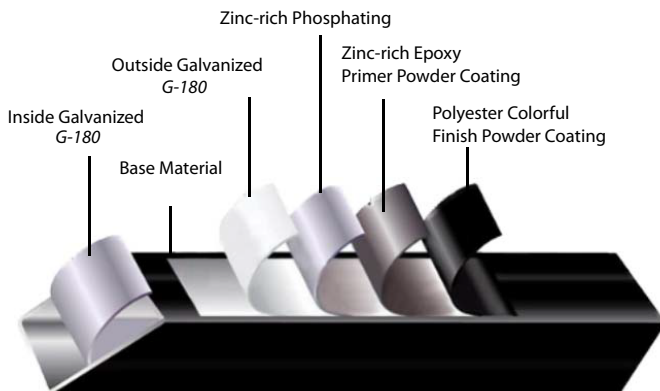
STANDARD HARDWARE



FORK LATCH ASSEMBLY



STANDARD SQUARE HINGE SET



STEEL PROTECTION SYSTEM